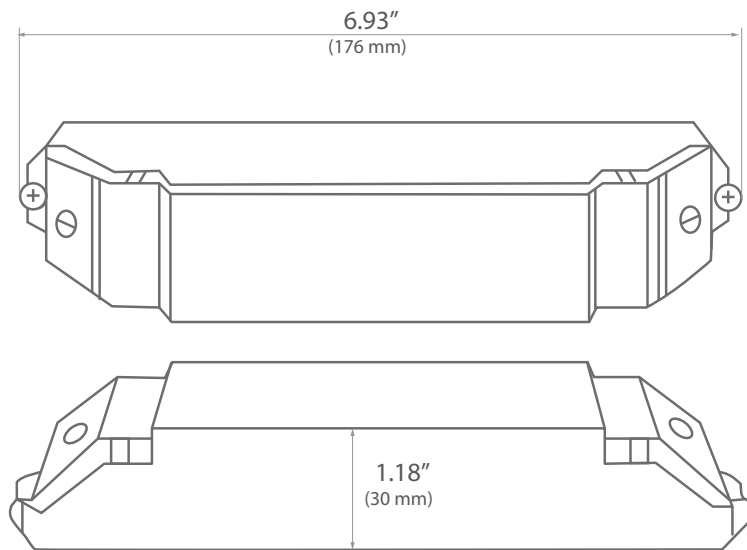


R•AWC

Adjustable White LED controller and receiver

Product name	Output	Max. output Current	Max. Power	Working temperature	Size	weight	Supply Voltage
LED Adjustable White receiver	channel #1	> 5 A	240 W / 480 W (12V / 24V)	-30°C to 55°C	L: 6.93" (176 mm) W: 1.81" (46 mm) H: 1.18" (30 mm)	145 g	12 V / 24 V
	channel #2	> 5 A					
	channel #3	> 5 A					
	channel #4	> 5 A					



Product name	Working frequency	Working temperature	Size	Remote distance	Supply Voltage
LED Adjustable White controller	433.92 MHz	-20°C to 55°C	L: 4.17" (106 mm) W: 3.7" (56 mm) H: 0.35" (9 mm)	40 m - 50 m	3 V (CR2032)

